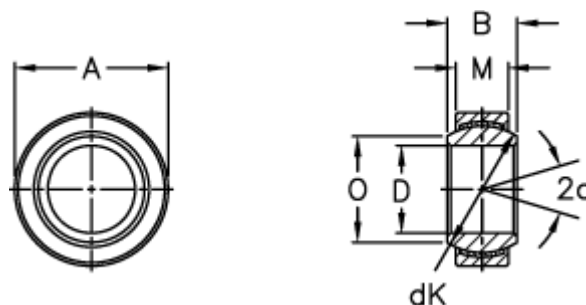


Article number: 03441045

Description: Fluro Rod end GE 45EC-2RS

## Measures



A	= 68 0 -0,013	Tilt angle = 7
B	= 32	Weight = 400
D	= 45 0 -0,012	
dK	= 60	
Dynamic load C (kN)	= 240	
M	= 25	
O	= 50.7	
Static load C0 (kN)	= 480	